

DDG Extruder

DDG Extruder for Ultimaker 2+/3 that feeds filament without grinding and with a very firm grip of the filament that will allow for faster printing without under-extrusion problems and high retraction prints like Voroni models without grinding.

The original stepper motor of the printer will be reused, and the extruder will be mounted at the same position and in the same mounting holes as the factory extruder making the installation easy and fast.

Ultimaker 2+ upgrade contains: One right hand DDG extruder.

Ultimaker 3 upgrade contains: One right hand and one left hand DDG extruder.

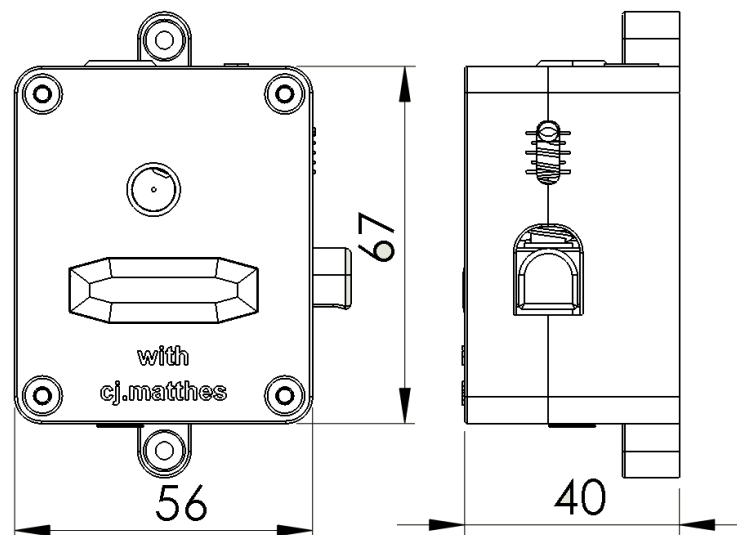
The picture and drawing show the right-hand edition.



Technical Specification

- EAN-code U2+ 7350011410408
- EAN-code U3 7350011412051
- Net weight 112.5g
- Gross weight 161.5g
- Package dimension 137x94x65mm
- Gearing ratio original used (3.27:1)
- Filament diameter 2.85mm
- Operating temperature 0–80°C
- E-steps value 311

Drawing



Contact Information

Bondtech AB
Repslagarevägen 3J
33153 Värnamo
Sweden

E-mail: support@bondtech.se
Web: www.bondtech.se

